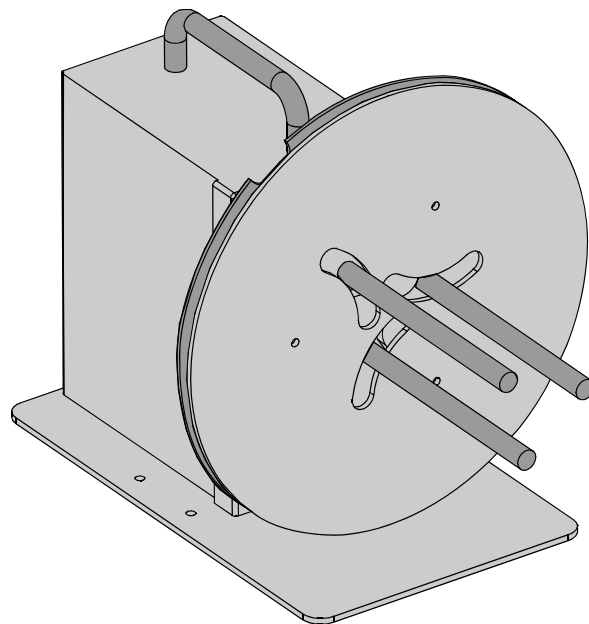


# DMX-REW1

Installation and Operation Instructions ■ ■ ■





## ***Introduction***

---

The DMX-REW1 is a low-cost universal label rewinder/unwinder supporting labels up to 5 inches wide at speeds of up to 15 ips (inches per second). Any rewind core from 1 inch to 4 inches in diameter can be used. Label rolls up to 8 inches in diameter can be accommodated.

The rewinder uses Constant Adjustable Torque™ (“CAT”) technology to achieve impressive, reliable performance at an unprecedented low price. The motor offers bi-directional operation and trouble-free performance. A switch on the power supply conveniently controls the amount of rewind torque. The unit automatically adjusts itself to any printer speed up to 15 ips and even allows for back feeding labels if your printer requires it. No damage will occur even if the unit is left “ON” indefinitely after the printer has stopped.

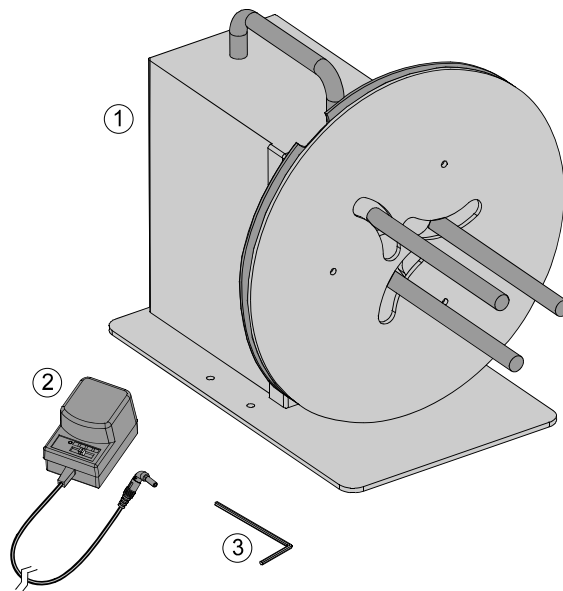
The rewinder is supplied with a precision-crafted adjustable core holder to simplify setup for different rewinding jobs.

## ***Contents of the DMX-REW1 Kit (78-2394-01)***

---

This kit contains the following items:

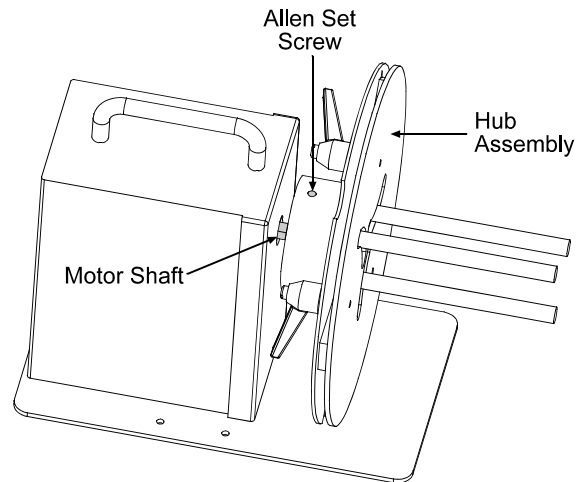
- ① Rewinder Drive Unit
- ② Adjustable Power Supply
- ③ Allen Wrench



## Assembly of the DMX-REW1

---

1. The DMX-REW1 is shipped with the Hub Assembly on the Motor Shaft but not secured. Align the “flat” on the Motor Shaft with the Allen Set Screw and tighten with the supplied Allen wrench.



## Set-Up

---



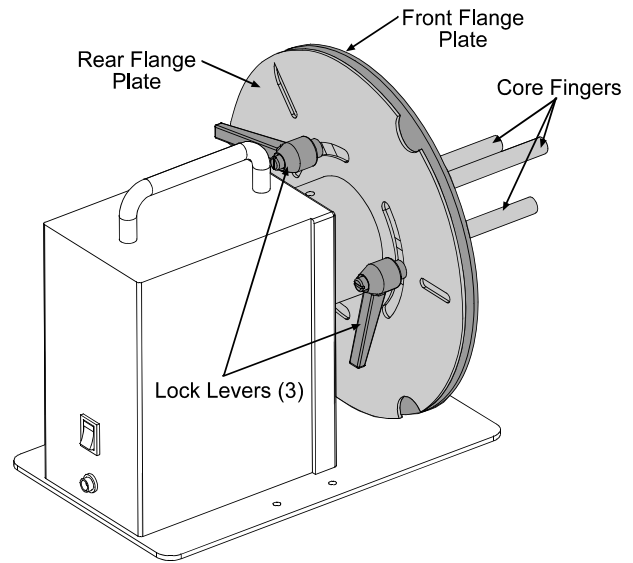
**Warning! This equipment is for indoor use only. Not for use in wet locations.**

1. Place the unit so that the three (3) Core Fingers are perpendicular to the web of the labels to be rewound.
2. Verify that the “DIRECTION” switch on the rear of the unit is in the OFF (0) position.
3. Insert the power supply cord into the power jack on the rear of the unit.
4. Set the VOLT CHANGE SW slide switch on the power supply to “3” as an initial setting.
5. Plug the power supply into a suitable 120 VAC 60Hz electrical outlet. The power supply can be left plugged in at all times.

## Label Rewinding

Labels can be rewound onto any cardboard core from 1 to 4 inches in diameter up to 5 inches long.

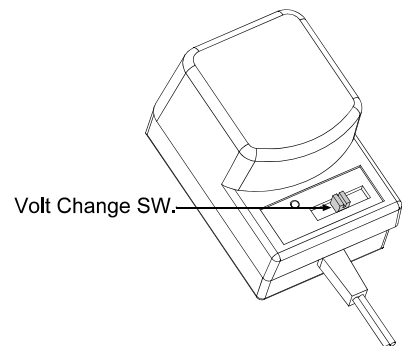
1. Loosen the three (3) black Lock Levers on the back of the Rear Flange Plate.
2. Grasp the Front Flange Plate with one hand and the Rear Flange Plate with the other. Notice the Rear Flange Plate has convenient cutouts for your thumb.
3. Rotate the plates in opposite directions until the three (3) Core Fingers move to the center next to each other.



4. Slide an empty cardboard core part way over the Fingers.
5. Now rotate the Flange Plates in the opposite direction to expand the Fingers against the inside of the cardboard core and tighten the Lock Levers.

**NOTE: If one or more of the Lock Levers is up against the Hub and won't lock, simply pull up on the lever (away from the Flange Plate) and reposition it.**

6. Slide the cardboard core all the way up against the Flange Plate.
7. Pull the label media to the cardboard core and use a piece of tape to secure it to the core.
8. Check that the unit is more or less square with the label path. You can shift the position of the unit slightly if needed.
9. Place the "DIRECTION" switch in the position desired to run, left or right.
10. Start the printer and observe that the labels are being rewound correctly. You can adjust the (VOLT CHANGE SW) slide switch on the power supply to provide more rewind force if needed.
11. When rewinding is finished, place the "DIRECTION" switch in the OFF (0) position and slide the cardboard core and the wound labels off the Core Fingers.



## ***Unwind Feature***

---

To use the DMX-REW1 as an Unwinder, set the “DIRECTION” switch for the opposite direction of rotation. Place the VOLT CHANGE SW to the 1.5 position to provide resistance to the roll of labels you wish to unwind.

## ***Specifications***

---

<b>Label Width:</b>	5 inches (127mm)
<b>Max. Roll Weight:</b>	8.5 lbs. (3.9 kg)
<b>Rewind Label Roll Size:</b>	Up to 8 inches (203+ mm)
<b>Speed:</b>	Automatically adjusts to any printer speed up to 15 ips (380 mm/sec). Maximum torque is switch adjustable.
<b>Start/Stop:</b>	Convenient ON-OFF switch.
<b>Direction:</b>	Bi-directional. Direction is reversible via switch
<b>Power:</b>	UL & CSA Listed 120 vac 60Hz Power Supply Module.
<b>Warranty:</b>	Limited 1-year Parts and Labor Warranty.

## ***Warranty and Contact Information***

---

### **ONE-YEAR LIMITED WARRANTY**

Your new DMX-REW1 Label Rewinder ("the Unit") is guaranteed to the original end-user purchaser to be free from defects in materials and workmanship under normal use for a period of one (1) year from original date of purchase. This Warranty begins when you purchase the Unit and continues for the Warranty period unless you sell or rent the Unit, in which case the Warranty terminates.

In the event Warranty service is required, please contact Datamax-O’Neil at (407) 578-8007 for a Return Material Authorization and the Service Location to which the Unit should be shipped. The Unit must be packed securely for shipment to avoid damage. Original packaging is recommended if available. Proof of original purchase must accompany the Unit. The customer assumes all costs incurred in transporting the Unit to an authorized service center. Upon examination, if the Unit is found to be defective, it will be repaired or replaced without charge during the Warranty period.

Datamax-O’Neil and all resellers of the Unit disclaim any implied warranty, including the warranty of merchantability and the warranty of fitness for any particular purpose, and assume no responsibility or liability for any special, incidental or consequential damages.

This Warranty does not cover damage resulting from accident, misuse, abuse, improper installation or operation, connection to inappropriate power source, lack of reasonable care, unauthorized modification, the affixing of any attachment not provided by Datamax-O’Neil, or loss of parts. This Warranty is voided in the event any unauthorized person opens, alters, or attempts to repair the Unit.

COPYRIGHT © 2012, DATAMAX-O’NEIL